



T3.5

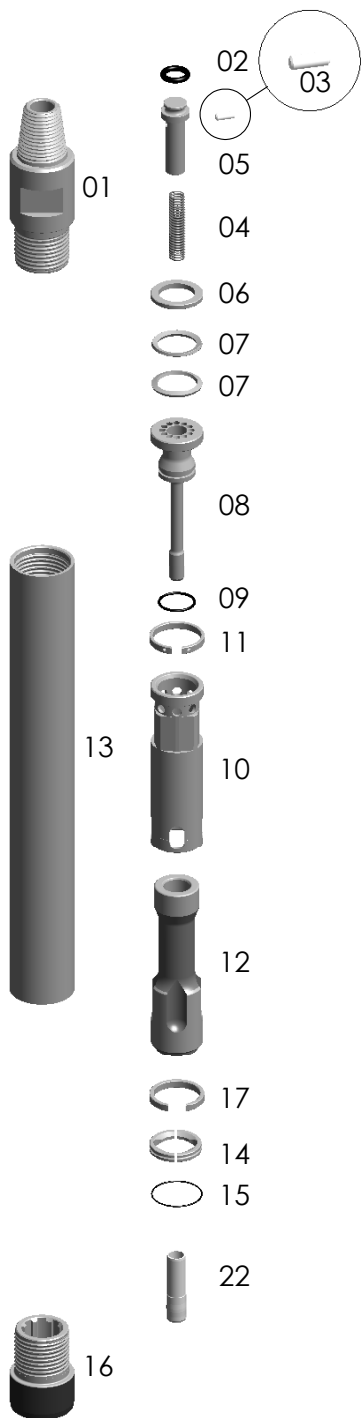
w/2-3/8" API Reg Pin

Wt. 53 lbs.

T3-STD-Hammer

Thread Change/Pin
Box Thread

TAKES IR3.5 Shank



Replacement Parts

Hmr Part #	Description	Order #	Weight (lbs.)
T3-01	Backhead 2-3/8" API REG PIN	ET3-01	13.0
T3-03S	Choke Set	ET3-03S	0.3
T3-03	Blank Choke	ET3-03	0.1
T3-03A	1/8" Choke	ET3-03A	0.1
T3-03B	3/16" Choke	ET3-03B	0.1
T3-04	Check Valve Dart Spring	ET3-04	0.1
T3-05	Check Valve Dart W/ O-Ring	ET3-05	0.6
T3-02	**Replacement O-Ring for Check Valve Dart**	ET3-02	0.1
T3-06	Spacer	ET3-06	0.2
T3-07	Disc Spring (requires 2)	ET3-07	0.1
T3-08	Air Distributor w/O-Ring	ET3-08	21.0
T3-09	**Replacement O-Ring for Air Distributor**	ET3-09	0.0
T3-10	Cylinder w/Retainer Ring	ET3-10	3.0
T3-11	**Replacement Cylinder Retainer Ring 2-holes**	ET3-11	0.2
T3-12	Piston	ET3-12	9.0
T3-13	Wear Sleeve w/Retainer Ring	ET3-13	20.0
T3-17	**Replacement Retainer Ring for Wear Sleeve**	ET3-17	0.2
T3-14	Bit Retainer Ring w/O-Ring	ET3-14	0.3
T3-15	**Replacement O-Ring for Bit Retainer Ring**	ET3-15	0.1
T3-16	Chuck	ET3-16	5.0
T3-22	Foot Valve	EIR3.5-22	0.5