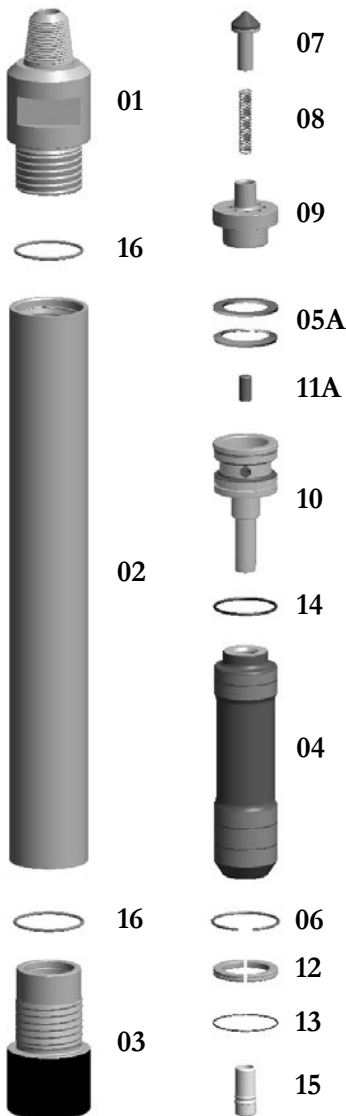


**E6-STD-Hammer-TS**

**TAKES SD6 SHANKS**

\*\*SPECIAL BACKHEAD FEATURES – CALL OFFICE



**Replacement Parts**

Hmr Part #	Description	Order #	Weight (lbs.)
6-01	Top Sub 3-1/2" API REG PIN w/O-Ring	<b>E6-01</b>	45.0
6-16	**Replacement O-Ring for Top Sub**	<b>E6-16</b>	0.1
6-02	Piston Case w/Retainer Ring	<b>E6-02</b>	81.0
6-06	**Replacement Retainer Ring for Piston Case**	<b>E6-06</b>	0.2
6-03	Driver Sub w/O-Ring	<b>E6-03</b>	24.0
6-16	**Replacement O-Ring for Driver Sub**	<b>E6-16</b>	0.1
6-04	Piston	<b>E6-04</b>	52.0
6-05A	Disc Spring & Spacer Set	<b>E6-05A</b>	1.0
6-07	Check Valve Dart	<b>E6-07</b>	1.5
6-08	Check Valve Dart Spring	<b>E6-08</b>	0.3
6-09	Check Valve Guide	<b>E6-09</b>	5.0
6-10	Rigid Valve with O-Ring	<b>E6-10</b>	11.0
6-14	**Replacement O-Ring for Rigid Valve	<b>E6-14</b>	0.2
6-11	Choke Set	<b>E6-11(5)</b>	1.5
6-11A	Blank Choke	<b>E6-11A</b>	0.3
6-11B	1/8" Choke	<b>E6-11B</b>	0.3
6-11C	3/16" Choke	<b>E6-11C</b>	0.3
6-11D	1/4" Choke	<b>E6-11D</b>	0.3
6-11E	5/16" Choke	<b>E6-11E</b>	0.3
6-12	Bit Retainer Ring w/O-Ring	<b>E6-12</b>	1.6
6-13	**Replacement O-Ring for Bit Retainer**	<b>E6-13</b>	0.1
6-15	Foot Valve	<b>E6-15</b>	0.8
6-17	Brass Break-Out Ring	<b>E6-17</b>	0.1

Price is subject to change without notice.

		Outside Diameter		Hammer Length Pin		Hammer Length Box		Bit Size Range			
		IN.	MM.	IN.	MM.	IN.	MM.	IN.	MM.		
Drill 6		5-716	141.1	49-9/32	1251.7	53-1/32	1347	6 – 10	152.4 – 254		
Choke Size		150	10.3	200	13.8	250	17.2	300	20.7	350	24.1
IN.	MM.	PSI	BARS	PSI	BARS	PSI	BARS	PSI	BARS	PSI	BARS
Blank	Blank	410	11.61	565	16.00	725	20.53	885	25.06	1050	29.74
1/8	3.18	435	12.32	595	16.85	765	21.66	935	26.48	1110	31.44
3/16	4.76	465	13.17	630	17.84	815	23.08	990	28.04	1175	33.28
1/4	6.35	490	13.88	660	18.69	870	24.64	1060	30.02	1260	35.68
5/16	7.94	560	15.86	755	21.38	960	27.19	1160	32.85	1370	38.80
3/8 -None	9.53	610	17.28	830	23.51	1050	29.74	1265	35.82	1480	41.91

The above air charts are based upon ideal conditions, your results may vary.