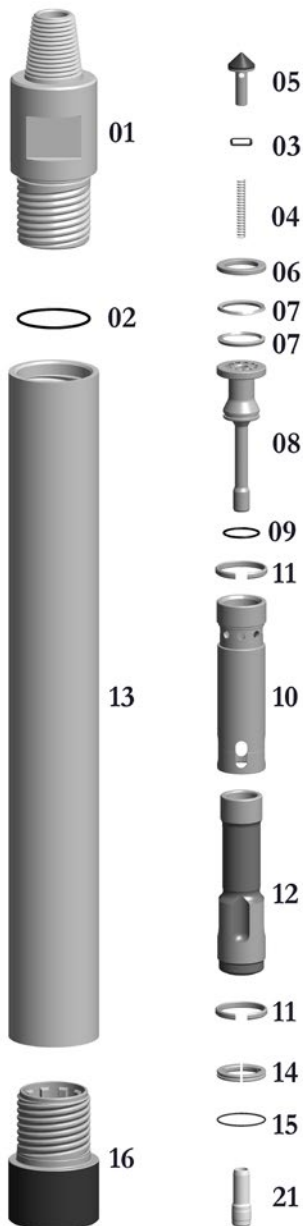


**EDM45-Hammer-BK**

**TAKES EDM-45 SHANKS**

\*\*SPECIAL BACKHEAD FEATURES – CALL OFFICE



**Replacement Parts**

Hmr Part #	Description	Order #	Weight (lbs.)
EDM45-01	Backhead 2-7/8" API REG PIN w/O-Ring	<b>EDM45-01</b>	21.0
EDM45-01	Backhead 2-3/8" API REG PIN w/O-Ring	<b>EDM45-01A</b>	21.0
EDM45-02	**Replacement O-Ring for Backhead**	<b>EBB5-09</b>	0.1
EDM45-03(S)	Choke Set	<b>ET4-03(S)</b>	0.3
EDM45-03	Blank Choke	<b>ET4-03</b>	0.1
EDM45-03A	1/8" Choke	<b>ET4-03A</b>	0.1
EDM45-03B	3/16" Choke	<b>ET4-03B</b>	0.1
EDM45-04	Check Valve Dart Spring	<b>E5-08A</b>	0.3
EDM45-05	Check Valve Dart	<b>ET4-05</b>	1.5
EDM45-06	Spacer	<b>ET4-06</b>	0.4
EDM45-07	Disc Spring (requires 2)	<b>ET4-07</b>	0.3/ea
EDM45-08	Air Distributor w/O-Ring	<b>ET4-08</b>	4.0
EDM45-09	**Replacement O-Ring for Air Distributor**	<b>ET4-09</b>	0.1
EDM45-10	Cylinder w/Retainer Ring	<b>ET4-10</b>	6.0
EDM45-11	**Replacement Retainer Ring for Cylinder**	<b>ET4-11</b>	0.2
EDM45-12	Piston	<b>ET4-12</b>	15.0
EDM45-13	Wear Sleeve w/Retainer Ring	<b>EDM45-13</b>	43.0
EDM45-11	**Replacement Retainer Ring for Wear Sleeve**	<b>ET4-11</b>	0.2
EDM45-14	Bit Retainer Ring w/O-Ring	<b>EHDH500-17</b>	0.4
EDM45-15	**Replacement O-Ring for Bit Retainer Ring**	<b>ET4-15</b>	0.1
EDM45-16	Chuck	<b>EDM45-16</b>	8.0
EDM45-21	Foot Valve	<b>E340A-25</b>	0.2

Price is subject to change without notice.

		Outside Diameter		Hammer Length Pin		Hammer Length Box		Bit Size Range	
		IN.	MM.	IN.	MM.	IN.	MM.	IN.	MM.
EDM 45 2-7/8 PIN		4	101.6	37-3/8	949.33	40-3/4	1035	4-3/8 – 5-1/4	112 – 134
EDM 45 2-3/8 PIN		4	101.6	37-3/4	958.85	40-3/4	1035	4-3/8 – 5-1/4	112 – 134
Choke Size		200	13.8	250	17.2	300	20.7	350	24.1
IN.	MM.	PSI	BARS	PSI	BARS	PSI	BARS	PSI	BARS
BLANK	BLANK	500	14.16	660	18.69	800	22.65	925	26.19
1/8	3.18	527	14.92	700	19.82	848	24.01	975	27.60
3/16	4.76	555	15.71	748	21.18	906	25.65	1047	29.64

The above air charts are based upon ideal conditions, your results may vary.